

Honeywell

Premium Safety Products by



CONTENTS

EYE PROTECTION

Protégé Safety Spectacle	3
A800 Safety Spectacle	4
Avatar Safety Spectacle	5
Millennia 2G Safety Spectacle	6
Op-Tema Safety Spectacle	7
Lens Cleaning	7
Duramaxx Goggle	8
V-Maxx Goggle	9
Flex-Seal Goggle	10
Maxx-Pro Goggle	10

FACE PROTECTION

Bionic Face Screens	11
Clearways Browguards & Visors	11
Supervizor Heavy Duty Browguard & Attachments	12
Supervizor Heavy Duty Polycarbonate Visors	12
Supervizor Helmet/Earmuff Systems	12
Supervizor Acetate Visors	13
Supervizor Metal Mesh Visor	13
Supervizor Chinguard	13
Welding Headshields & Helmets	14
Leather Hood / Welding Goggles Combination	14
Safety Helmet / Welding Shield Combination	14

HEARING PROTECTION

Earplugs	15
-----------------	----

RESPIRATORY PROTECTION

Airvisor 2 MV	16
Airvisor 2 Light Duty Air Supplied Respirator	17
Airvisor 2 W-Series Air Supplied Welding Respirator	18
Airvisor 2 FV-Series Air Supplied Welding Respirator	19
Airvisor 2 Waistbelt Regulator Assemblies	20
Blueline Air Hose	20
Clearflow 3 Filter Systems	21
Primair PA800 Welding Helmet & PAPR Combination	22

Protégé safety spectacles

Radical styling and floating lens design for increased flexibility of fit.



1015366
PROTÉGÉ with
clear anti scratch
lens

1015364HS
PROTÉGÉ with
clear fog-ban anti
scratch lens

1015363
PROTÉGÉ with
TSR grey anti
scratch lens
minimises
sunlight and
glare

1015353HS
PROTÉGÉ with
TSR grey fog-ban
anti scratch lens
minimises
sunlight and
glare



1016341
PROTÉGÉ with
HDL yellow anti
scratch lens for
enhanced
contrast in
low light
conditions

1016342HS
PROTÉGÉ with
HDL yellow
fog-ban anti
scratch lens for
enhanced
contrast in
low light
conditions

1015689
PROTÉGÉ with light
I/O silver lens for
reduced glare –
ideal for personnel
moving from
indoor to outdoor
locations



A800 safety spectacle

Sporty styling and a slim profile provide an ideal fit for personnel with smaller faces.



1015370
A800 with clear
anti-scratch lens

1015368
A800 with TSR
grey anti-scratch
lens minimises
outdoor sunlight
and glare



1015350
A800 with light
I/O silver lens for
reduced glare –
ideal for personnel
moving from
indoor to outdoor
locations

Avatar safety spectacle

Comfortable floating nose loop and pads with soft brow frame, indirect venting system, flexible and angle-adjustable ratchet temples.



1034831
AVATAR clear
HydroShield lens
coating



1034832
AVATAR TSR grey
HydroShield lens
coating



1034833
AVATAR amber
HydroShield lens
coating

Millennia 2G safety spectacle

Offering greater coverage, enhanced peripheral vision and comfort features in a classic design with a sporty touch.



1032175
MILLENNIA 2G with
black frame and
clear abrasion-
resistant lens

1032176
MILLENNIA 2G
with black frame
and TSR grey
abrasion-resistant
lens



1032177
MILLENNIA 2G
with black frame
and HDL yellow
abrasion-resistant
lens



Op-Tema safety spectacle

Abrasion resistant polycarbonate lens with six-base curve design and adjustable side arms.



1000016
OP-TEMA with
black frame and
clear lens

1000018
OP-TEMA with
blue frame and
clear lens

1004947
OP-TEMA with
black frame and
clear fog-ban
lens

1004949
OP-TEMA with
blue frame and
clear fog-ban
lens

1000017
OP-TEMA with
black frame and
TSR grey lens

1004948
OP-TEMA with
blue frame and
TSR grey fog-
ban lens

1004960
OP-TEMA with
blue frame and
TSR grey fog-
ban lens



Lens Cleaning



1011378
Lens cleaning solution 500ml
spray bottle contains no alcohol or
silicone



1011379
Lens cleaning tissues, 500 per box,
non-abrasive



1011380
Lens cleaning station, contains
500ml spray bottle of lens cleaning
solution and 1500 tissues



1011332
Lens cleaning towelettes, pre-
moistened in pocket size sachets

Duramaxx goggle

Duramaxx goggle with Dura-streme™ coating technology.



1017750
DURAMAXX
with clear lens
and fabric strap

1017751
DURAMAXX
with clear lens and
neoprene strap

1017737
DURAMAXX
TSR grey lens
and neoprene
strap

1017738
DURAMAXX
with TSR grey
lens and
fabric strap



1017752
DURAMAXX
with HDL yellow
lens and neoprene
strap

1017753
DURAMAXX
with HDL yellow
lens and fabric
strap



1017739
DURAMAXX
with Shade 5 lens
and neoprene
strap



Duramaxx replacement lenses



1028135
Clear lens



1028136
TSR grey lens



1028140
Shade 5 lens

V-Maxx Goggle

Sport style goggle with distortion-free 100% peripheral vision.



1006192
V-MAXX with indirect vent, polycarbonate lens and elastic strap

1006193
V-MAXX with indirect vent, polycarbonate non-mist lens and elastic strap

1006194
V-MAXX with indirect vent, polycarbonate non-mist lens and neoprene strap

1006195
V-MAXX with no vent, polycarbonate non-mist lens and elastic strap

1006196
V-MAXX with no vent, polycarbonate non-mist lens, foam surround and elastic strap



1007506
V-MAXX with indirect vent, acetate non-mist lens with two protective lens covers and neoprene strap



1008111
V-MAXX welding with black frame and Shade 5 lens



1006437
V-MAXX protective lens covers

Flex-Seal Goggle

Soft silicone body for ultimate comfort and performance, with large wraparound lens for excellent panoramic vision.



1011381
FLEX-SEAL
with clear fog-
ban lens and
neoprene
strap

1011333
FLEX-SEAL
with clear fog-
ban lens and
fabric strap

1011385
FLEX-SEAL
replacement
clear fog-ban
lens

1011384
FLEX-SEAL
with Shade 5
fog-ban lens
and neoprene
strap



Maxx-Pro Goggle

Low profile goggle compatible with welding helmets, faceshields and other protective equipment.



1011333
MAXX-PRO with
clear fog-ban lens
and fabric strap

Bionic Face Screens

A revolutionary face shield designed for rugged jobs. Extremely lightweight and highly adjustable for all-day comfort, it is ideal for workers exposed to impact, chemical splash and airborne debris.



1011623

BIONIC with clear polycarbonate uncoated visor

1011624

BIONIC with clear polycarbonate fog ban, anti-scratch visor

1011933

BIONIC with clear acetate visor

1015113

BIONIC frame and headband without visor

REPLACEMENT VISORS

1011625

Clear, uncoated, polycarbonate visor

1011626

Clear, uncoated, acetate visor

1011627

Clear, fog-ban anti-scratch polycarbonate visor

1011628

Shade 3 polycarbonate visor

1011628

Shade 5 polycarbonate visor

ACCESSORIES

1015240

Protective visor covers

1011934

Sweatband

1015161

Helmet adapter

Clearways Browguards & Visors

Clearways value browguards offer both strength and durability with economical visors available in acetate or polycarbonate.



REPLACEMENT BROWGUARD

1002341

CB20 grey browguard with ratchet headband

1002346

CB14 grey browguard with elastic headband



VISORS

1002353

CV83P 200mm clear polycarbonate visor

1002354

CV84A/CG 200mm clear acetate visor for use with CG7 chinguard

1002360

CV84A 200mm clear acetate visor

1002359

CV83P/CG 200mm clear polycarbonate visor for use with CG7 chinguard

1002365

CV84AG 200mm acetate Shade 1.7 visor

1002369

CV85/3W 200mm acetate Shade 5 visor

1002370

CV85/5W 200mm acetate Shade 5 visor

1002294

CG7 chinguard for use with 1002354, 1002359

Supervizor Heavy Duty Browguard & Attachments

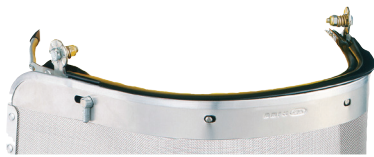
(Helmet not included)



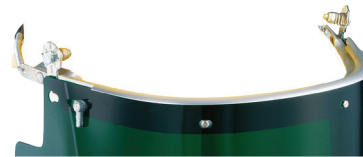
1002297
SB600 browguard
with ratchet
headband



1002302
SA660 Plastic
safety helmet
attachment



1002304
SA66M Molten
metal safety
helmet
attachment



1002305
SA66 Metal
safety helmet
attachment

Supervizor Heavy Duty Polycarbonate Visors



1002312
SV9PC 230mm
clear poly-
carbonate
visor

1002310
SV9PC/CG clear
polycarbonate
visor for use
with VS7
chinguard

1002328
SV9PG 230mm
Shade 1.7
polycarbonate
visor, EN170

Supervizor Helmet/Earmuff Systems

Combined helmet mounted hearing and face protection
(helmet earmuffs and adaptors are also required).

**HELMET
ATTACHMENT**

1004583
SHA66M helmet
mounted visor
carrier

VISORS

1004584
SHV9PC 200mm
clear poly-
carbonate
visor

1004587
SHV9AC 200mm
clear acetate
visor



Supervizor Acetate Visors



1002307
SV9AC 200mm
clear acetate
visor

1002309
SV9AC/CG clear
acetate visor
for use with VS7
chinguard



1002329
SV9A3W 200mm
Shade 3 acetate
visor

1002330
SV9A5W 200mm
Shade 5 acetate
visor

1002308
SV9EK 200mm
clear acetate
visor for electrical
hazards

Supervizor Metal Mesh Visor



1002337
SAM9 metal wire
mesh visor (suits
SA66M helmet
attachment only)
for molten metal
protection and
forestry work

Supervizor Chinguard



1002295
VS7 chinguard
for use with
1002310,
1002309

Welding Headshields & Helmets



GAMADOR
Flip-up Headshield
NO-810400
4 1/4" x 2"
NO-810440
4 1/4" x 3 1/4"
NO-810450
110 x 90 mm



LAMADOR
Flip-up Headshield
NO-810500
4 1/4" x 2"
NO-810540
4 1/4" x 3 1/4"
NO-810550
110 x 90 mm

PROTA SHELL
Full Face Helmet
1576 - 810900
Flip Up 4 1/4" x 2"

1577 - 810920
4 1/4" x 3 1/4"

NO-810910
4 1/4" x 2" (pictured)

Made of Vulcan-fibre with fully-adjustable headgear. Different sizes of glass holders available



PROTA SHELL BABY
Cutaway Shell

1371 - 810320
4 1/4" x 3 1/4"

1372 - 810300
Flip Up 4 1/4" x 2"

Particularly suited for use in confined spaces



Leather Hood / Welding Goggles Combination



813000 - 30cm
813010 - XL 45cm
Leather mask with flip-up amigo welding goggles. Soft vinyl frame and integrated side shields. Not supplied with lenses



Safety Helmet / Welding Shield Combination

GAMADOR COMBI
810400.2
Gamador Headshield with flip up holder and 4 1/4" x 2" lens
933182
Safety Helmet
N.B. Both codes to be ordered for this item



Ear Plugs



1000106
BILSOM 304L
Single Use Foamplug (Corded)
SNR 33 – Box 100 pairs



1005328
CLARITY 656S
Multiple-Use Earplug – Small
SNR 22 – Box 10 pairs



1005329
CLARITY 656L
Multiple-Use Earplug – Large
SNR 22 – Box 10 pairs



3301106
LASER LITE
Single-Use (Corded)
SNR 35 – Box 100 pairs



1005073
BILSOM 303L
Single-Use Foamplug – SNR 33
– Box 200 pairs



3301271 – Box 500 pairs
3301105 – Box 200 pairs
LASER LITE
Single-Use (Uncorded) Bulk Refill – SNR 35



HL400-LL-INTRO
HL400 DISPENSER with 1 prefilled canister of 400 pairs of Laser Lite Single Use (Uncorded)



1006186
BILSOM 303L Single-Use (Uncorded) – SNR 33
– Bag 200 pairs



0000000
BILSOM 303L Single Use (Uncorded) Canister Refill
– 400 pairs



1013047
LASER LITE Single-Use (Uncorded) – SNR 32
– Bag 200 pairs

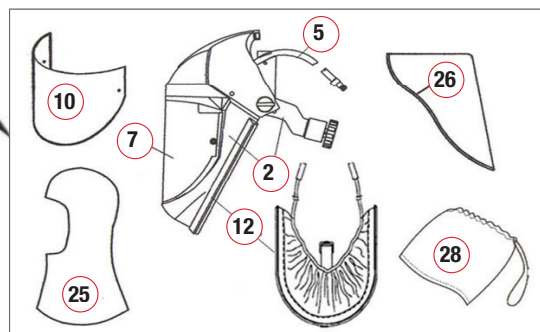


HL400-LL-REFILL
LASER LITE Single-Use (Uncorded) Canister Refill
– 400 pairs

Airvisor 2 MV



Complete assemblies ready to use with a supply of breathable quality compressed air in conjunction with Clearflow filter systems. All kits include a waistbelt unit with integral low flow warning device, quick release connectors, a visor assembly with a secure fitting head-band, fabric head cover, storage bag and instructions for use.



AIR-SUPPLIED RESPIRATOR KITS

1013938

DMAK-0021E AIRVISOR 2 MV SPRAY PAINTING KIT

Complete with acetate chemical resistant visor, spraygun air hose with quick release connectors, fabric face seal cassette, two disposable visor covers, fabric balaclava, head / neck cover, storage bag, waistbelt complete (DAVW-1001E) includes integral low flow warning device, tested and certified to EN14594:2005 Class 4A

1013939

DMAK-0023E AIRVISOR 2 MV CHEMICAL KIT

Complete with acetate chemical resistant visor, one fabric face seal cassette, two disposable visor covers, head / neck cover, storage bag, waistbelt complete (DAVW-1003E) includes integral low flow warning device, tested and certified to EN14594:2005 Class 4A

1013980

DMAK-0024E AIRVISOR 2 MV INDUSTRIAL KIT

Complete with polycarbonate impact resistant visor, fabric face seal cassette, two disposable visor covers, head / neck cover, storage bag, waistbelt complete (DAVW-1003E) includes integral low flow warning device, tested and certified to EN14594:2005 Class 4A

REPLACEMENT HEADPIECES

1013981

DMAK-0071E

AIRVISOR 2 MV

Headpiece only, with acetate chemical resistant visor; as supplied with DMAK-0021E and DMAK-0023E

1013982

DMAK-0072E

AIRVISOR 2 MV

Headpiece only, with polycarbonate impact resistant visor; as supplied with DMAK-0024E



SPARES & ACCESSORIES

1028822	2	Replacement browguard and frame for Airvisor 2 MV models
1028825	5	Air supply tube, diffuser and connector for Airvisor 2 MV models
1001774	7	DTVS-1503/5 Replacement polycarbonate visor
1001775	7	DTVS-1504/5 Replacement acetate visor
1028870		Visor sealing strips for use with replacement visors for Airvisor 2 MV
1001778	10	DTVS-1507/10 Spare MV visor covers
1001779	10	DTVS-1508/50 Spare MV visor covers
1013994	12	Spare fabric cassette for Airvisor 2 MV
1001733	25	DAF-9257/5 Disposable fabric balaclava
1001676	26	DAVS-1408/5 Spare fabric head cover
1001716		DAF-0705 Disposable chemical hood
1001799		DTVR-CP Comfort pad – Front of headband

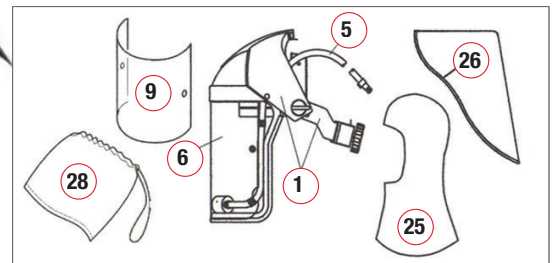
Waistbelt regulator spares for Airvisor 2 listed on page 20

Airvisor 2 MV Kits must be used with approved Blueline hoses to maintain CE certification. See page 20

Airvisor 2 Light Duty Air Supplied Respirator



Complete assemblies ready to use with a supply of breathable quality compressed air in conjunction with Clearflow filter systems. All kits include a waistbelt unit with integral low flow warning device, quick release connectors, a visor assembly with a secure fitting head-band, fabric head cover, storage bag and instructions for use.



AIR-SUPPLIED RESPIRATOR KITS

1013932

DAVK-0001E AIRVISOR 2 PAINT SPRAYING KIT

Complete with acetate chemical resistant visor and integral foam face seal, spraygun air hose with quick release connectors, two disposable visor covers, fabric balaclava, head / neck cover, storage bag, waistbelt complete (DAVW-1001E) includes integral low flow warning device, tested and certified to EN14594 2005 Class 4A

1013934

DDAVK-0003E AIRVISOR 2 CHEMICAL KIT

Complete with acetate chemical resistant visor and integral foam face seal, two disposable visor covers, head/neck cover, storage bag, waistbelt complete (DAVW-1003E) includes integral low flow warning device, tested and certified to EN14594:2005 Class 4A

1013935

DAVK-0004E AIRVISOR 2 INDUSTRIAL KIT

Complete with polycarbonate impact resistant visor and integral foam face seal, two disposable visor covers, head/neck cover, storage bag, waistbelt complete (DAVW-1003E) includes integral low flow warning device, tested and certified to EN14594:2005 Class 4A

REPLACEMENT HEADPIECES

1013936

DAVK-0051E

AIRVISOR 2

Headpiece only, with acetate chemical resistant visor; as supplied with DAVK-0001E and DAVK-0003E

1013937

DAVK-0052E

AIRVISOR 2

Headpiece only, with polycarbonate impact resistant visor, as supplied with DAVK-0004E



SPARES & ACCESSORIES

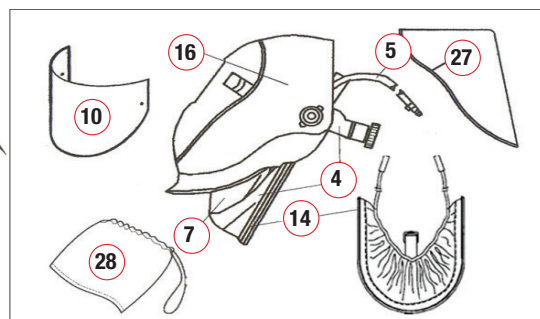
1028821	1	Replacement browguard and frame for Airvisor 2 models
1028825	5	Air supply tube, diffuser and connector for Airvisor 2 models
1028827	6	Polycarbonate visor with foam face skirt for AV2
1028826	6	Acetate visor with foam face skirt for AV2
1001732	9	DAF-9220/10 Disposable visor cover
1001731	9	DAF-9220/50 Disposable visor cover
1001733	25	DAF-9257/5 Disposable fabric balaclava
1001676	26	DAVS-1408/5 Fabric head cover
1001738	28	DDAF-8083 White fabric carrying bag
1001716		DDAF-0705 Disposable chemical hood
1001799		DTVR-CP Comfort pad – Front of headband

Waistbelt regulator spares for Airvisor 2 listed on page 20

Airvisor 2 Kits must be used with approved Blueline hoses to maintain CE certification. See page 20

Airvisor 2 W-Series Air Supplied Welding Respirator

W-Series air supplied welding kit with high temperature welding shell, viewing window (90mm x 110mm), polycarbonate inner visor (EN166 39-B), one flame retardant fabric cassette, one flame retardant head cover, air supply tube and diffuser, waistbelt with integral low flow warning device, carbon cartridge and regulator, carrying bag. Welding glass not included.



AIR-SUPPLIED WELDING RESPIRATOR KIT

1013987

DAWK-4011E AIRVISOR 2 W-SERIES WELDING KIT

Complete high temperature welding shell (viewing window 90mm x 110mm), inner polycarbonate impact resistant visor, fabric face seal cassette, flame retardant head cover, two disposable visor covers, storage bag, waistbelt complete (DAVW-1003E) includes integral low flow warning device, tested and certified to EN14594:2005 Class 3A

REPLACEMENT HEADPIECE

1013988

DAWS-4201E

W-SERIES

Headpiece only, as supplied with DAWK-4011E



SPARES & ACCESSORIES

1028824	4	Replacement browguard and MV frame for DAWK-4011E
1028825	5	Air supply tube, diffuser and connector for DAWK-4011E
1001774	7	DTVS-1503/5 Replacement polycarbonate visor
1001778	10	DTVS-1507/10 Spare MV visor covers
1001779	10	DTVS-1508/50 Spare MV visor covers
1013994	14	Spare fabric face seal cassette for DAWK-4011E
1005103	16	DAWS-5200 Replacement W-Series shell c/w window clips
1005100		DTWS-5130 Replacement front cover for W-Series shell
1001754	27	DAWS-4204 Spare flame retardant head cover
1001738	28	DAF-8083 White fabric carrying bag

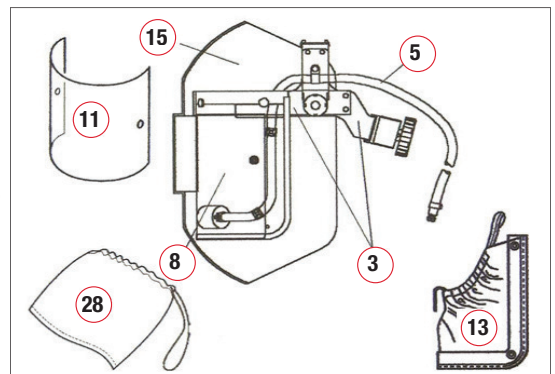
Waistbelt regulator spares for Airvisor 2 listed on page 20

Airvisor 2 W-Series Kits must be used with approved Blueline hoses to maintain CE certification. See page 20

Airvisor 2 FV-Series Air Supplied Welding Respirator



FV-Series air supplied welding kit with high temperature welding shell, viewing window (90mm x 110mm), polycarbonate inner visor (EN166 39-B), air supply tube and diffuser, waistbelt with carbon cartridge and regulator, carrying bag. Welding shield can be raised to allow grinding and remedial work to be carried out while the inner visor stays in position to maintain respiratory protection and also impact protection for the eyes.



AIR-SUPPLIED WELDING RESPIRATOR KIT

1013983

DAWK-4001E AIRVISOR 2 FV-SERIES WELDING KIT

Complete high temperature welding shell (viewing window 90mm x 110mm), inner polycarbonate impact resistant visor, fabric face seal, two disposable visor covers, storage bag, waistbelt complete (DAVW-1003E) includes integral low flow warning device, tested and certified to EN14594:2005 Class 3A

REPLACEMENT HEADPIECE

1013986

DAWS-4101E

FV-SERIES

Headpiece only, as supplied with DAWK-4001E



WELDING COVER PLATES

1001764

DTWS-5121/10 CR39

Anti-spatter cover plate 90mm x 110mm

1001767

DTWS-5126/10

Spare polycarbonate inner cover plate 90mm x 110mm

SPARES & ACCESSORIES

1028823	3	Headband assembly for DAWK-4001E
1028825	5	Air supply tube, diffuser and connector for DAWK-4011E
1028828	8	Replacement polycarbonate inner visor for DAWK-4001E
1001749	11	DAWS-4106/10 Spare visor covers
1001748	13	DAWS-4104 Replacement face seal for DAWK-4001
1001750	15	DAWS-4108 FV-Series welding shell with window clips
1001738	28	DAF-8083 White fabric carrying bag
1001791		DTVS-3074 Flame retardant balaclava

Waistbelt regulator spares for Airvisor 2 listed on page 20

Airvisor 2 FV-Series Kits must be used with approved Blueline hoses to maintain CE certification. See page 20

Airvisor 2 Waistbelt Regulator Assemblies

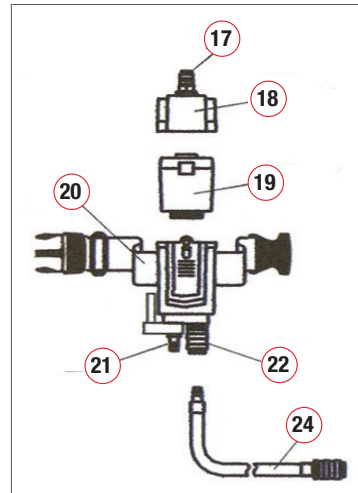
Waistbelt complete with carbon cartridge, air flow regulator, quick release connectors and integral low flow warning device.



1013989
DAVV-1001E for use with Airvisor 2 models DMAK-0021E and DAVK-0001E



1013990
DAVV-1003E for use with Airvisor 2 models DMAK-0023E/24E, DAVK-0003E/4E and DAWK-4001/11E



SPARES & ACCESSORIES

1001725	17	Miniature High Flow quick release socket
1028829	18	Regulator for DAVV-1001E and DAVV-1003E
1001672	19	DAVS-1404 Carbon cartridge for all waistbelts
1001674	20	DAVS-1406 Replacement waistbelt with lower half of plastic housing
1028830	21	Airvisor 2 Special High Flow quick release plug
1028831	22	High Flow quick release socket
1001683	24	DAVS-1418 1.2 m spraygun air hose

Blueline Air Hose

Blueline air hose is supplied complete with quick release couplings to connect the Clearflow filter system to the air-supplied respirator kit. The large internal diameter of the hose and high-flow couplings ensure the correct airflow to the user. Maximum length of Blueline hose when used with Airvisor 2 models is 10m to comply with EN14594:2005 Class 4A.



1001726
DAF-7319 BLUELINE
air hose 3.5 m

1001727
DAF-7351 BLUELINE
air hose 7.5 m

1001728
DAF-7350 BLUELINE
air hose 10 m

Clearflow 3 Filter Systems

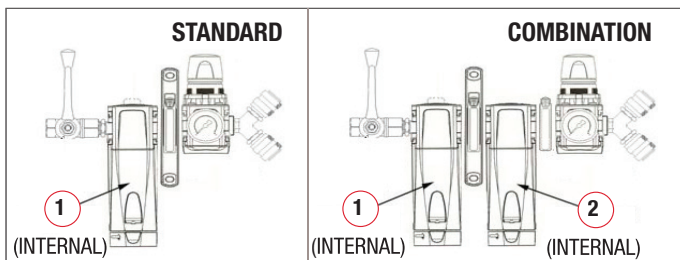
Clearflow 3 compressed air filter range has been developed to deliver high quality breathable air to a range of supplied air respirator systems. Air is taken from the factory compressed air system and particulates, bulk oil and water are removed by the coalescing filter. The carbon adsorber filter removes oil vapour and odour as necessary. The Clearflow 3 range is available in wall mounted and portable stand versions. Capacity is up to 1,600 l/min, which is suitable to supply breathable air for up to four operators.



1763903
CLEARFLOW 3 wall mounted combination system

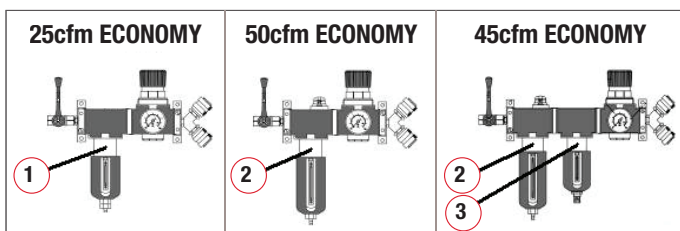
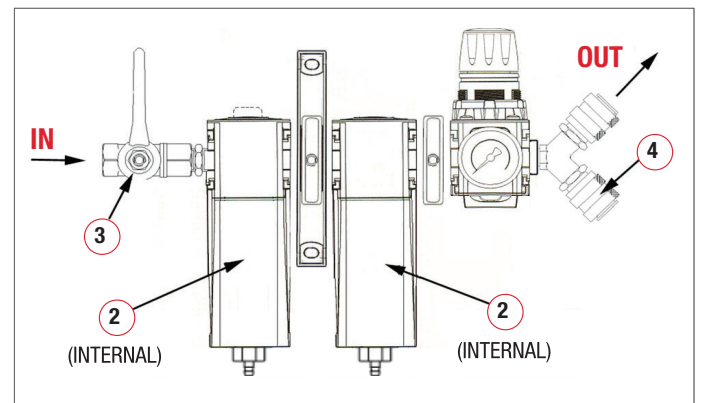


1763904
CLEARFLOW 3 stand mounted combination system



SPARE FILTERS FOR CLEARFLOW 2 FILTER SYSTEM

1016971	1	DCFS-2163 Coalescing filter element
1016973	2	DCFS-2165 Adsorber filter element



SPARE FILTERS FOR CLEARFLOW 1 FILTER SYSTEM

1001704	1	DCFS-0180 25 cfm replacement economy coalescing element
1001705	2	DCFS-0181 50 cfm replacement standard coalescing element
1001706	3	DCFS-0182 Replacement charcoal element

SPARES & ACCESSORIES

1763908	1	DCFS-3163 replacement coalescing filter element
1763907	2	DCFS-3165 replacement adsorber filter element
1076332	3	DCFS-2184 isolating valve
1028832	4	DAF-6311 Quick release outlet socket
1017050		DCFS-2172 Replacement stand (complete with fixing bolts)
1005060		DAF-6329 Doubling kit for use with Airvisor ('Y' piece + one QR connector)

Primair PA800 Welding Helmet & PAPR Combination

The Primair™ PA800 ultralight welding helmet features an auto-darkening filter with bright resting light shade transmission. Its ergonomic design reduces work interruptions and maximises productivity. The shield-less system eliminates the need to flip up the ADF to grind – just push a button, and keep working to improve worker safety and increase productivity. The Primair™ PA800 Welding Helmet works harmoniously with the PA700 PAPR blower, keeping you cool and comfortable while you work – all day, every day.



Outside Grinding Shield
The replaceable grinding shield protects the ADF from sparks and slag during welding or grinding. Since it is fixed in place, there's no mechanisms to adjust or damage

Sensor Angle 'Slide' Adjustment
Helps prevent unwanted auto-darkening of the ADF

Lightweight Breathing Tubes
Highly flexible, corrugated hose; 360° swivel connector on straight hose enables freedom of movement

Efficient Keypad
Illuminated, easy-to-read display; large buttons for easy operation – even when wearing gloves

Side-Mounted Battery
Contained in housing on five (5) sides and locks into place to reduce accidental disconnections

Ergonomic Belt
Carefully chosen shape and materials distribute the weight of the PAPR and help keep it from slipping. The fire-resistant webbing and metal buckle make it perfect for welding

Cartridge/Filter Connection
Enables filter or cartridge/filter combination to lock into place with a quarter turn, assuring workers they are secure and safer

PA701WEU

Assembly includes welding/grinding helmet, connected blower, battery, battery charger, comfort pad, flow meter, and welding belt

SPARES & ACCESSORIES

PA751W	PA700 Welding Belt
PA031L	Breathing Tube – 1 m (40 in)
PA036	Breathing Tube – 1.2 m (47 in)
PA828	Breathing Tube Cover, Hose, Flame-Resistant
PA810EU	2.5 ADF PAPR Welding Helmet
PA821	ADF, Replacement, PA800 Series
PA8221	Lens Cover, Front, 5/Pk
PA8222	Lens Cover, Inside, 5/Pk
PA 824	Sweatband, Welding Helmet
PA827	Seal, Face, Welding Helmet
PA823	PA800 Headgear – replacement
PA825	Cover, Grind Button, Silicone, 10/Pk
PA8331	Chest Protector, Leather Accessory
PA8332	Head and Neck Protector, Leather Accessory